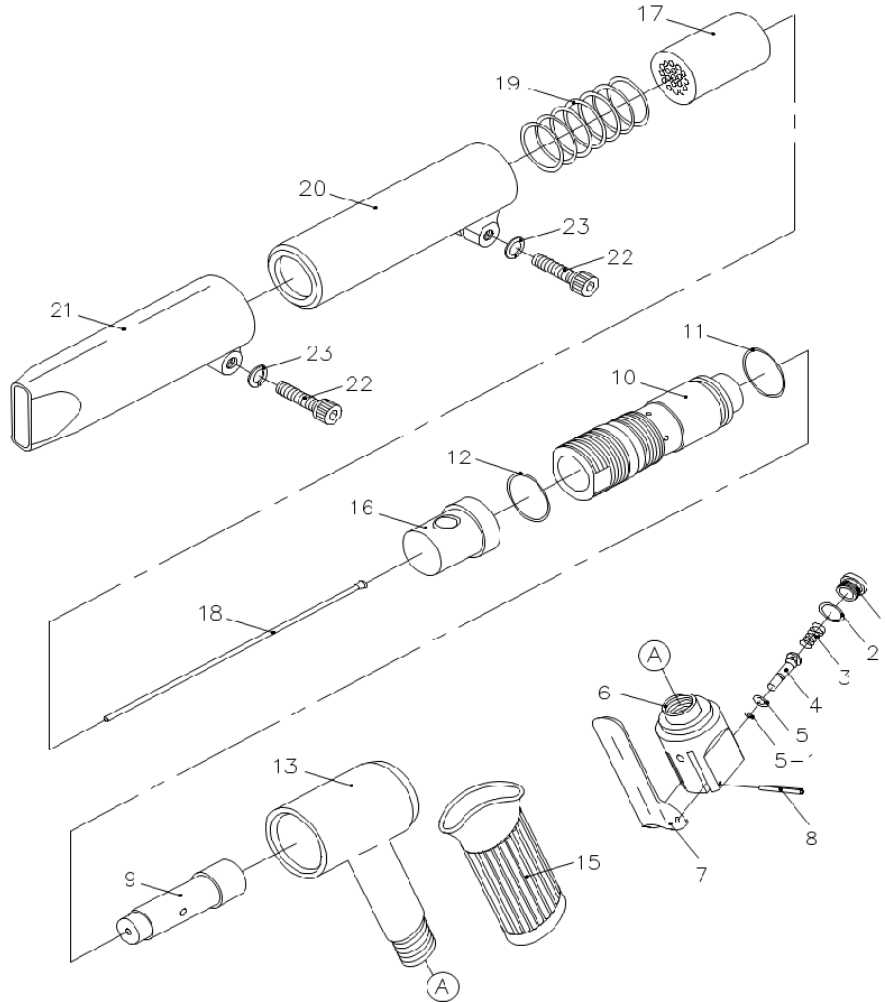


# GP-0321

## AIR NEEDLE SCALER



**PARTS    DESCRIPTION**

**NO.**

01.	VALVE CAP
02.	O-RING-VALVE CAP
03.	VALVE SPRING
04.	VALVE STEM
05.	O-RING- VALVE SEAT
05-1.	O-RING
06.	VALVE BODY
07.	THROTTLE LEVER
08.	ROLL PIN
09.	PISTON
10.	CYLINDER
11.	O-RING
12.	O-RING

**PARTS    DESCRIPTION**

**NO.**

13.	PISTON HANDLE HOUSING
15.	RUBBER HANDLE GRIP
16.	ANVIL
17A.	NEEDLE HOLDER 3MM
17B.	NEEDLE HOLDER 2MM
18A.	NEEDLE SET (19pcs) 3MM
18B.	NEEDLE SET (29pcs) 2MM
19.	SPRING COMPRESSION
20.	INTERMEDIATE TUBE
21.	FRONT TUBE
22.	CAP HEAD SCREW (2)
23.	WASHER (2)